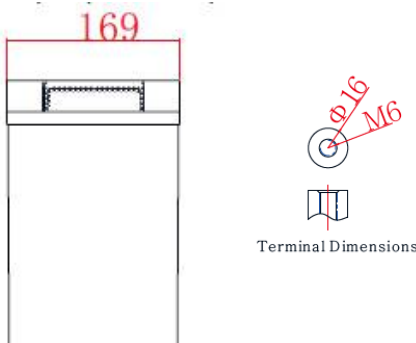
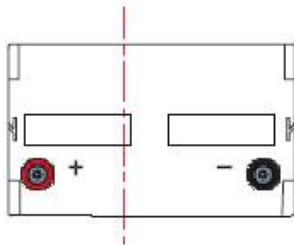
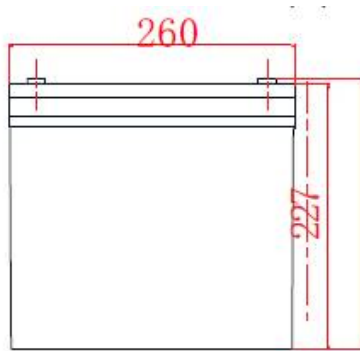



DATASHEET
DCEV 80-12
12V 80AH

GEL SEALED VRLA BATTERY
LONG LIFE 12 YEARS OF EXPECTED LIFETIME
 (EUROBAT)


SPECIFICATIONS

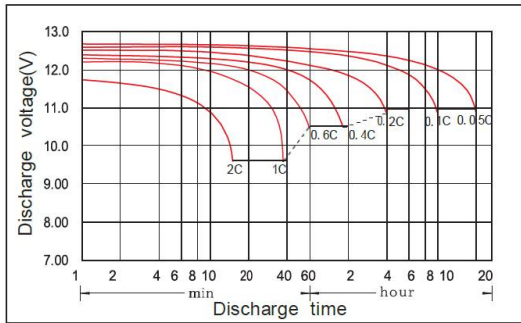
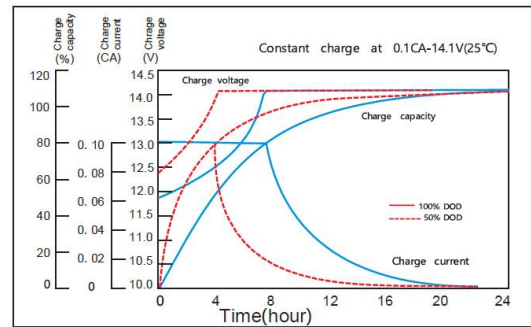
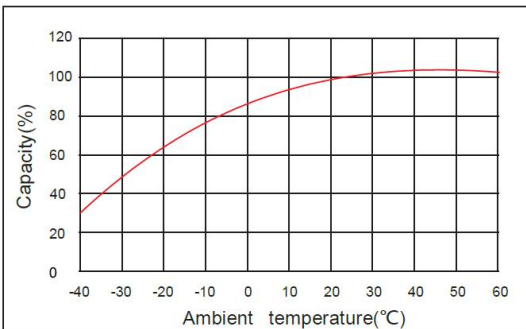
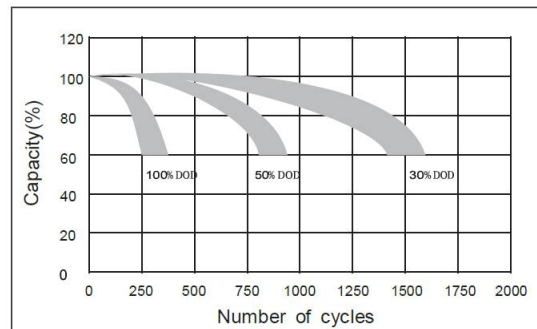
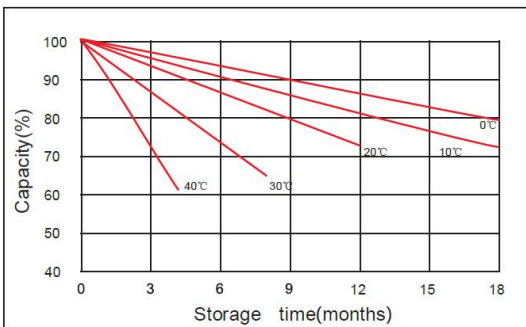
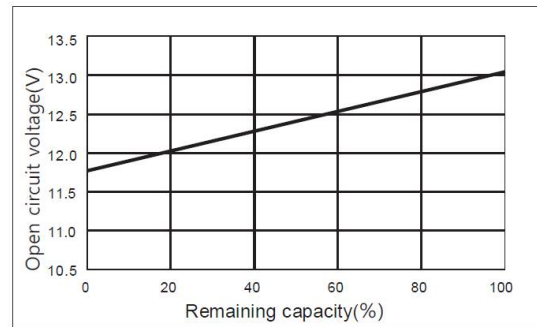
| | | |
|------------------------|------------------------------|-----------------------------|
| Nominal Voltage | 12V | |
| Nominal Capacity | 80Ah | |
| Terminal | M6 | |
| Approx. Weight | Approx 25,2 kg (55,6 lbs) | |
| Container Material | ABS UL94 V0 | |
| Dimensions | Length | 260±2 mm (10,23 inches) |
| | Width | 169±2 mm (6,65 inches) |
| | Container Height | 227±2 mm (8,93 inches) |
| | Total Height (with terminal) | 227±2 mm (8,93 inches) |
| Rated Capacity | 80 Ah | 20 hr (4A to 10,8V, 25°C) |
| | 75 Ah | 10 hr (7,5A to 10,8V, 25°C) |
| | 63,3 Ah | 3 hr (21,1A to 10,5V, 25°C) |
| | 51,3 Ah | 1 hr (51,3A to 10,5V, 25°C) |
| Max. Discharge Current | 960,0 A (5 s) | |
| Internal Resistance | Full charged at 25°C: 8,0 mΩ | |

| | | |
|-----------------------|-----------|----------------------|
| Operating Temperature | Discharge | -40÷60°C (-40÷140°F) |
| | Charge | -20÷50°C (-4÷122°F) |
| | Storage | -20÷50°C (-4÷122°F) |

| | | |
|----------------------|------------------|-----------------------------------|
| Charge method (25°C) | Charge current: | Max.20A ; Recom.8.0A |
| | Float Charge: | 13.5-13.8V,recom.13.5V(-18mV/ °C) |
| | Equalize charge: | 13.8-14.1V,recom.14.1V(-24mV/ °C) |
| | Cycle charge: | 14.4-15.0V,recom.14.4V(-30mV/ °C) |

| | |
|----------------|---|
| Self discharge | 3% of capacity declined per month at 25°C |
|----------------|---|



DISCHARGE CHARACTERISTIC

CHARGING CHARACTERISTIC

THE EFFECT OF TEMPERATURE ON CAPACITY

THE EFFECT OF DISCHARGE DEPTH ON CYCLE LIFE

CURVES OF SELF-DISCHARGE

CURVES OF OPEN CIRCUIT VOLTAGE VS. CAPACITY

Constant Current Discharge Characteristics
Unit: A (25°C, 77°F)

| FV/Time | 15min | 30min | 1h | 2h | 3h | 5h | 8h | 10h | 20h |
|---------|-------|-------|------|------|------|------|------|------|------|
| 1.60V | 147 | 89.4 | 52.8 | 30.3 | 22.0 | 14.8 | 9.68 | 8.28 | 4.35 |
| 1.65V | 142 | 87.8 | 52.5 | 30.1 | 21.7 | 14.6 | 9.60 | 8.20 | 4.32 |
| 1.70V | 139 | 86.3 | 52.1 | 29.9 | 21.4 | 14.4 | 9.53 | 8.12 | 4.30 |
| 1.75V | 135 | 85.6 | 51.3 | 29.4 | 21.2 | 14.3 | 9.45 | 8.04 | 4.28 |
| 1.80V | 126 | 81.8 | 50.0 | 28.9 | 21.1 | 13.9 | 9.37 | 8.00 | 4.26 |
| 1.85V | 112 | 74.7 | 46.3 | 27.4 | 19.8 | 13.2 | 8.99 | 7.72 | 4.19 |

Constant Power Discharge Characteristics
Unit: W/cell (25°C, 77°F)

| FV/Time | 15min | 30min | 1h | 2h | 3h | 5h | 8h | 10h | 20h |
|---------|-------|-------|------|------|------|------|------|------|------|
| 1.60V | 259 | 162 | 99.8 | 57.2 | 41.8 | 28.0 | 18.8 | 15.9 | 8.60 |
| 1.65V | 254 | 160 | 99.0 | 57.1 | 41.3 | 27.8 | 18.7 | 15.8 | 8.56 |
| 1.70V | 251 | 160 | 98.3 | 56.9 | 41.0 | 27.6 | 18.6 | 15.6 | 8.52 |
| 1.75V | 250 | 159 | 97.5 | 56.5 | 40.8 | 27.4 | 18.4 | 15.4 | 8.48 |
| 1.80V | 236 | 156 | 96.7 | 56.4 | 40.6 | 27.1 | 18.3 | 15.3 | 8.44 |
| 1.85V | 211 | 143 | 89.8 | 53.9 | 38.6 | 25.9 | 17.7 | 15.0 | 8.36 |